

SIRCOVER BY-PASS



Changeover switches with fully visualised breaking from 125 to 3200 A

Function

SIRCOVER products are manually operated multipolar changeover switches. They provide changeover, source inversion or switching under load between two low voltage power circuits, as well as their safety isolation.

SIRCOVER BY-PASS are manually operated changeover switches. They are a combination of three interlocked switches enabling the use with 3 + 6 pole or 4 + 8 pole. They insulate by providing simultaneous safety isolation top and bottom and by passing loads of low voltage circuits mainly during maintenance operations.

General characteristics

- 3 stable positions, (I, 0, II) or overlapping contacts (I, I+II, II), and on load changeover switching (AC-22 and AC-23).
- Fully visualized breaking.
- IP20 devices and accessories.

Available on request

- Devices 6 or 8 pole
- Devices with oversized neutral ex.: 3 x 250 A + N 400 A.
- Devices with advanced neutral.

Conformity to standards

- IEC 60947-3
- IS 14947-3
- EN 60947-3
- VDE 0660-107 (1992)
- NBN EN 60947-3
- BS EN 60947-3

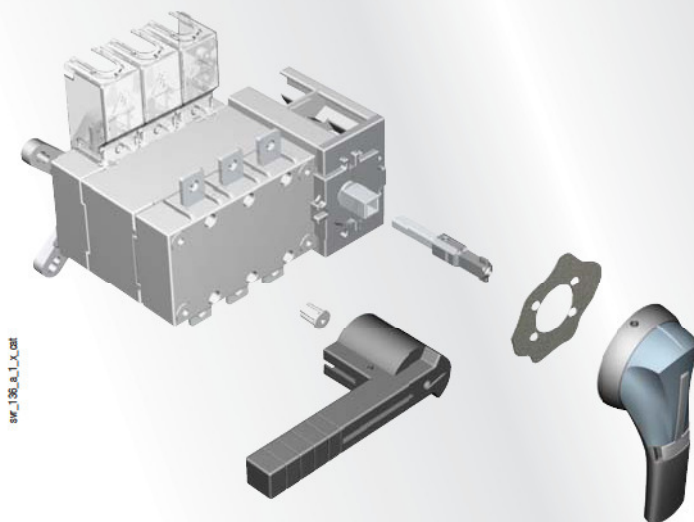
Approvals and certifications⁽¹⁾

- Bureau Veritas
- BBJ Poland (Attestation of verification)

⁽¹⁾ Product reference on request.

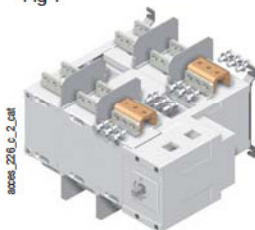
What you need to know

- **SIRCOVER** with **3 stable positions** (I, O, II) are 3 or 4 pole devices from 125 A to 3200 A. They are available enclosed in a steel or polyester enclosure from 125 to 1600 A.
- **SIRCOVER** with **overlapping contacts** (I-I+II-II) are 3 or 4 pole devices available from 125 to 1800A. They are available enclosed in a steel enclosure from 125 to 1600 A.
- **SIRCOVER BY-PASS** with **3 stable positions** (I, O, II) are a combination of three interlocked switches enabling the use with 3+6 poles or 4+8 poles from 125 to 1600 A. They are available in steel enclosure from 125 to 1600 A and with overlapping contacts (I, I+II, II).
- **SIRCOVER** and **SIRCOVER BY-PASS** can be used with a **direct or external handle**.



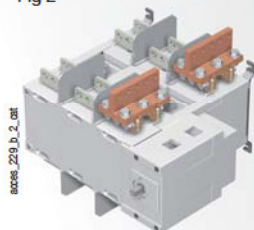
- A **connection kit for copper bars** allows the link between the 2 connection terminals of one pole (fig 1 and 2) and the bridging of the upstream and downstream link for ratings 2000, 2500 and 3200A (fig 3).

Fig 1



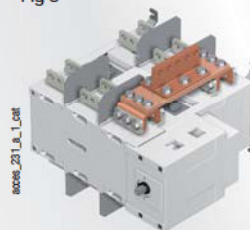
Top or bottom flat
connection

Fig 2



Edgewise connection
Top or bottom

Fig 3



Top or bottom bridging
connection





SIRCOVER I - I+II - II

Rating (A)	No. of poles	Switch body	Direct handle	External handle	Shaft for external handle	Bridging bar*	Auxiliary contacts	Terminal shrouds	Terminal screens				
125 A	3 P	4190 3013 ⁽¹⁾	Black 4199 5012 ⁽²⁾	S2 type Black IP65 1423 2114 ⁽²⁾	200 mm 1400 1020 320 mm 1400 1032 ⁽²⁾	4109 0019	1 st /2 nd contact NO/NC 4109 0021 ⁽³⁾	3 P 2694 3014 ⁽⁴⁾⁽⁵⁾ 4 P 2694 4014 ⁽⁴⁾⁽⁵⁾	3 P 1509 3012 ⁽⁶⁾ 4 P 1509 4012 ⁽⁶⁾				
	4 P	4190 4013 ⁽¹⁾											
160 A	3 P	4190 3016 ⁽¹⁾											
	4 P	4190 4016 ⁽¹⁾											
200 A	3 P	4190 3019											
	4 P	4190 4019											
250 A	3 P	4190 3025 ⁽¹⁾											
	4 P	4190 4025 ⁽¹⁾											
400 A	3 P	4190 3039 ⁽¹⁾											
	4 P	4190 4039 ⁽¹⁾											
500 A	3 P	4190 3050 ⁽¹⁾											
	4 P	4190 4050 ⁽¹⁾											
630 A	3 P	4190 3063 ⁽¹⁾											
	4 P	4190 4063 ⁽¹⁾											
800 A	3 P	4190 3080 ⁽¹⁾				Black 2799 7052 ⁽²⁾		S4 type Black IP65 1443 3114 ⁽²⁾	200 mm 1401 1520 320 mm 1401 1532 ⁽²⁾	4109 0080			3 P 1509 3080 ⁽⁶⁾ 4 P 1509 4080 ⁽⁶⁾
	4 P	4190 4080 ⁽¹⁾											
1 250 A	3 P	4190 3120 ⁽¹⁾											
	4 P	4190 4120 ⁽¹⁾											
1 600 A	3 P	4190 3160 ⁽¹⁾											
	4 P	4190 4160 ⁽¹⁾											
1 800 A	3 P	4190 3180											
	4 P	4190 4180											

* 1 piece required per pole.

(1) Available enclosed (see pages 498 and 500 "Enclosed changeover switches").

(2) Standard.

(3) 2 pieces: one for position I and one for position II.

(4) To fully shroud front, rear, top and bottom 4 references required.

(5) To shroud front switch top and bottom 2 references required.

(6) 2 pieces: one for top side and another for bottom side.